

# COMET

食から喜びと笑顔を未来へ

## GAS NOODLE COOKER

Models : CM

Ramen / Udon / Pho and  
All other types of Noodles



CM-4560



CM-6060

High durability

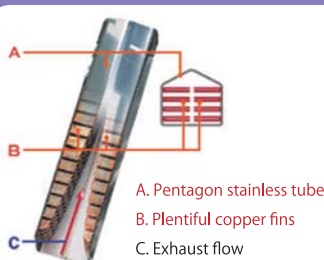
High heat efficiency

Saving gas energy

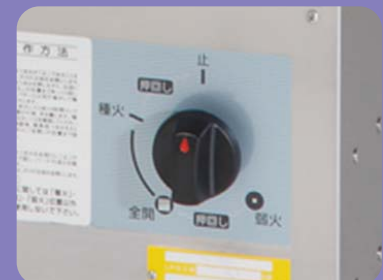
Stainless SUS316 tank  
provides a higher  
degree of corrosion  
resistance

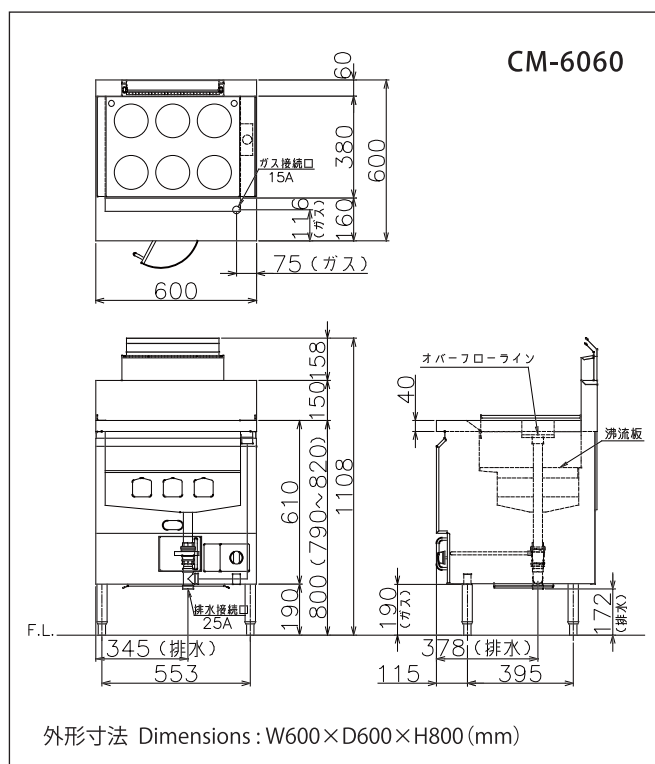
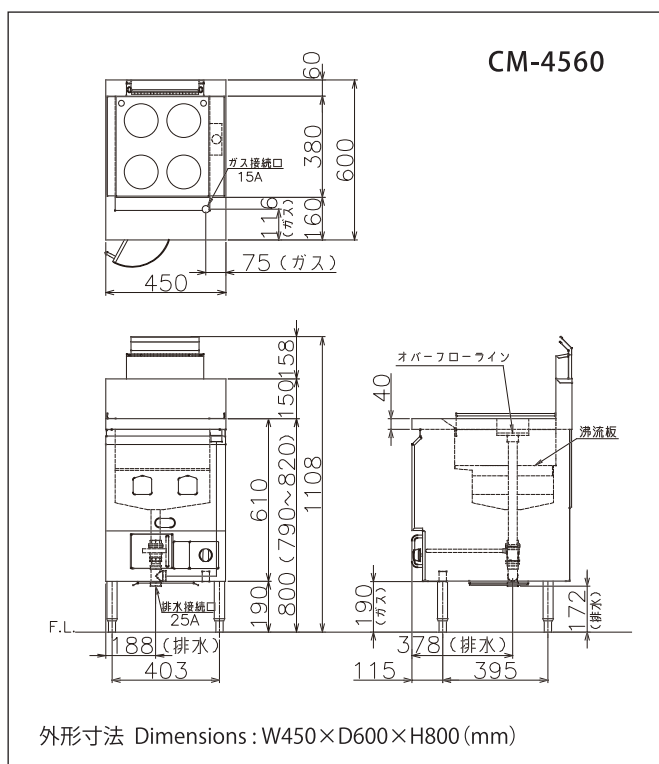


Heat exchanger with fins  
provides high efficiency  
(CM-4560/73%)



Low flame adjustment  
saves gas energy  
during idle time





型 式 Model No.	ガス消費量 Gas Input	湯量 Capacity	ガス接続口 Gas Conn in.(mm)	排水接続 Drain in.(mm)	製品重量 Weight
CM-4560	9.1kW (7,800kcal/h)	30 ℓ	1/2"(13)	1"(25)	48kg
CM-6060	12.8kW (11,000kcal/h)	42 ℓ	1/2"(13)	1"(25)	60kg

Water faucet is not attached. To attach water faucet for stable water supply is highly recommended.

## Ramen / Udon / Pho and All other types Noodles



Manufactured by  
**COMET KATO MFG.CO.,LTD.**

I-9,Kabutoshinden,Sobuecho,Inazawa-shi,Aichipref,Japan  
Telephone : +81-587-97-8441 Fax Number : +81-587-97-8448  
E-mail : hisyo@cometkato.co.jp http ://www.cometkato.co.jp

**MADE IN JAPAN**

Sold by